



BROPHY Tie Downs are easy to install



INSTALLATION

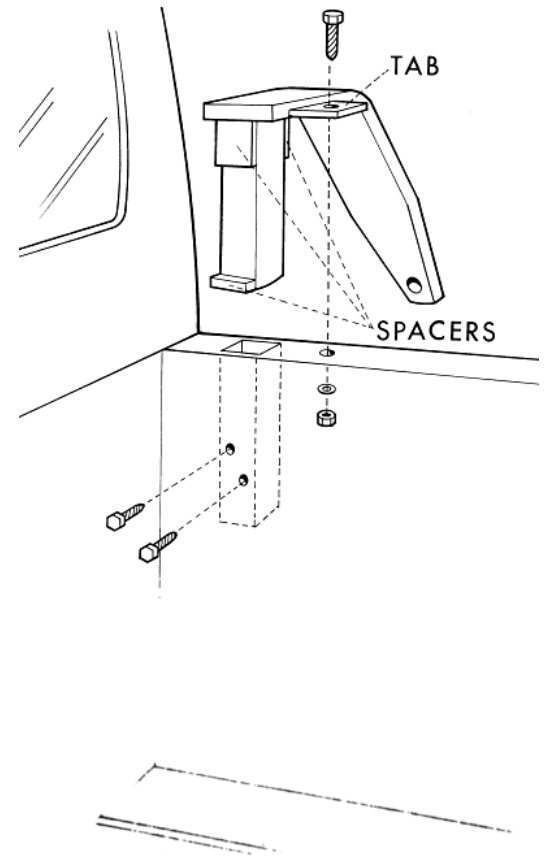
- 1 Place Tie Down in stake pocket with tab facing center of truck bed. [Spacer bars may be pried off if necessary.]
2. With Tie Down seated firmly in pocket, drill two 7/32" holes through pocket and Tie Down about 4" from the top. Install bolts provided.
3. Drill 11/32" hole in anchor tab and install bolts provided.

Caution: Over-tightening turnbuckles may cause unnecessary stress to the camper and truck.

Note: On some newer models you may need to purchase 2" - 2.5" long lag bolts.

Warnings:

- Not to be used on 1988 or newer mid-size Ford Ranger trucks. Replace with frame mounted tie downs
- Will not fit on 2011 and newer pickups
- Not to be used with campers over 8 ft in overall length
- Always check your vehicle's owner manual for any warnings



LIMITED WARRANTY

If any part or parts manufactured by C.R. Brophy Machine Works should prove defective within one year from the date it is delivered new to the purchaser, simply return the part prepaid to C.R. Brophy Machine Works, PO Box 122, Clackamas, Oregon 97015 and if in its opinion the defect is due to defective materials or workmanship furnished by the manufacturer, the part will be replaced or repaired without charge for the part or labor involved in its replacement.

The manufacturer's responsibility is limited to the replacement of defective parts as described above and is in lieu of all conditions or warranties expressed or implied statutory or otherwise. The purchaser takes the part or parts as is and with all faults without any warranty as to merchantability or fitness for any purpose and the manufacturer shall not be responsible for any loss, damage, injury, expense, or other liability, in tort or in contract arising out of the use, design or condition of any part or parts or arising out of any defective part or parts, occurring to any person or to the property of any person.

Any defective part or parts must be returned to the manufacturer with all postage or shipping charges prepaid promptly upon discovery of the defect. In no event will this warranty apply to any part or parts received at the manufacturer's place of business after one year from the date of delivery to the purchaser. If in the opinion of the manufacturer the defect in any part or parts is not the result of defective material or workmanship furnished by the manufacturer, the part or parts may be disposed of as scrap twenty days after notice to the purchaser of the manufacturer's decision.